

This document was generated on 03/24/2010

PLEASE CHECK WWW.MOLEX.COM FOR LATEST PART INFORMATION

Part Number: **0190170006**

Status: **Active**

Description: InsulKrimp™ Quick Disconnect, Female, for 18-22 (0.80-0.35) Wire, Mylar Tape, Tab 2.79mm (.110") x 0.81mm (.032")

Documents:

[Drawing \(PDF\)](#)

[Product Specification PS-19902-008 \(PDF\)](#)

[RoHS Certificate of Compliance \(PDF\)](#)

Agency Certification

CSA LR18689
UL E79133

General

Product Family Quick Disconnects
Series 19017
Crimp Quality Equipment Yes
Product Name InsulKrimp™
Type Quick Disconnect

Physical

Barrel Type Closed
Color - Resin Natural
Flammability 94V-2
Gender Female
Glow-Wire Compliant No
Insulation PVC
Lock to Mating Part None
Material - Metal Brass
Material - Plating Mating Tin
Material - Plating Termination Tin
Material - Resin PVC
Orientation Straight
Packaging Type Adhesive Tape on Reel
Plating min: Mating (µin) 160
Plating min: Mating (µm) 4
Plating min: Termination (µin) 160
Plating min: Termination (µm) 4
Polarized to Mating Part No
Tab Thickness 0.81mm (.032")
Tab Width 2.79mm (.110")
Temperature Range - Operating -50°C to +105°C
Termination Interface: Style Crimp or Compression
Wire Insulation Diameter 3.40mm (.134") max.
Wire Size AWG 18, 20, 22
Wire Size mm² 0.35 - 0.80

Electrical

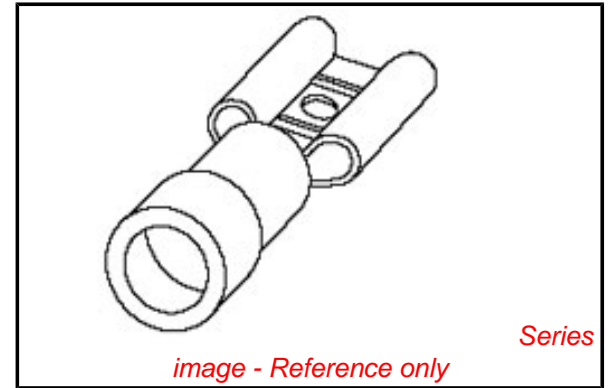
Voltage - Maximum 600V

Material Info

Old Part Number AA-2134T

Reference - Drawing Numbers

Product Specification PS-19902-008
Sales Drawing CD2903



EU RoHS

ELV and RoHS Compliant

REACH SVHC

Not Reviewed

Halogen-Free

Status

Not Reviewed

China RoHS



Need more information on product environmental compliance?

Email productcompliance@molex.com
For a multiple part number RoHS Certificate of Compliance, [click here](#)

Please visit the [Contact Us](#) section for any non-product compliance questions.

Search Parts in this Series

19017Series

Application Tooling | FAQ

Tooling specifications and manuals are found by selecting the products below. Crimp Height Specifications are then contained in the Application Tooling Specification document.

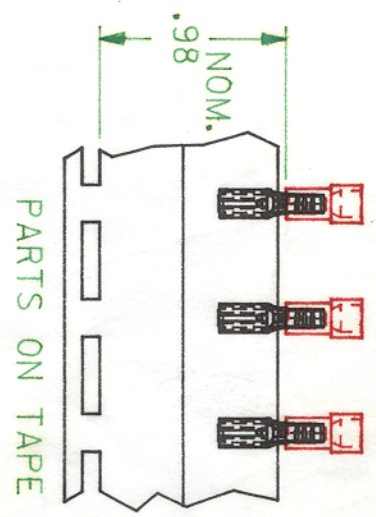
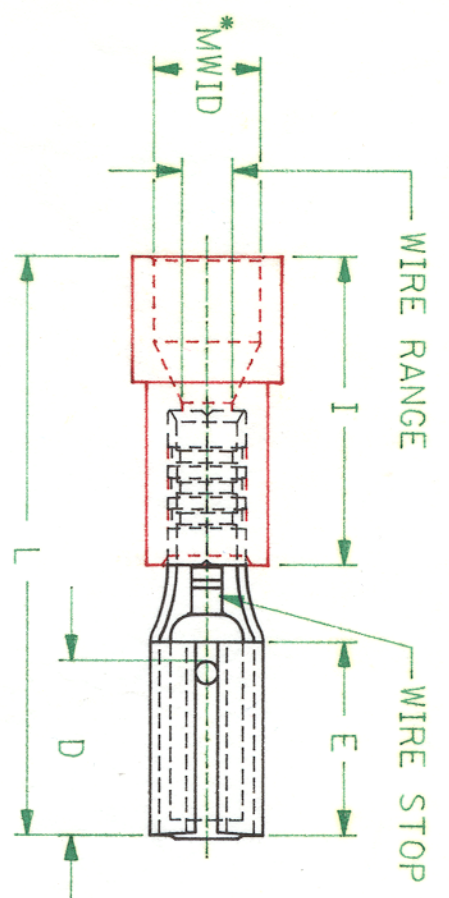
Global

Description	Product #
Crimp Dies for MTA-100 Tape Applicator used in 3BF Press, MTA-105 Tape Applicator used in TM-2000™ Press, and ATP-301 Air Crimping Press for Mylar Tape Mounted Terminals	<u>0192880048</u>
Mini-Mac™ Applicator	<u>0638850800</u>

This document was generated on 03/24/2010

PLEASE CHECK WWW.MOLEX.COM FOR LATEST PART INFORMATION

DRWG. NO. CD-2903



MATERIAL: BRASS
FINISH: ELECTRO-TIN PLATING
INSULATION: PVC

*MWID=MAXIMUM WIRE INSULATION DIAMETER

PART NUMBERS ARE FOR LOOSE PIECE TO ORDER PARTS ON TAPE ADD A "T" TO END OF PART NUMBER

PART NUMBER	INS. COLOR	WIRE RANGE AWG	WIRE RANGE MM ²	FITS MALE TAB SIZE	STOCK THICK.	"L" MAX.	"T" MAX.	"W" MAX.	"D" ±.01	"H" ±.01	"E" NOM.	MWID
AA-2134	RED	22-18	0.25-1.3	.110X.032	.012	.78	.41	.16	.210	.08	.25	.13
BB-2135	BLUE	16-14	1.0-2.6	.110X.032	.012	.78	.41	.16	.210	.08	.25	.14
AA-2131	RED	22-18	0.25-1.3	.110X.020	.012	.78	.41	.16	.210	.07	.25	.13
BB-2132	BLUE	16-14	1.0-2.6	.110X.020	.012	.78	.41	.16	.210	.07	.25	.14

REVISIONS ONLY ON CAD SYSTEM

INSULKRIMP
QUICK DISCONNECTS

CUSTOMER DRAWING

DRWG. BY RCM
CHK'D. BY
APP'D. BY
SCALE NO:NE

ETC INC.
PINELLAS PARK, FLA. 34665 U.S.A.

THIS DRAWING CONTAINS INFORMATION THAT IS PROPRIETARY TO MOLEX-ETC INC. AND SHOULD NOT BE USED WITHOUT WRITTEN PERMISSION.

SHEET NO. CD-2903
DATE 11/27/90
DIV. A